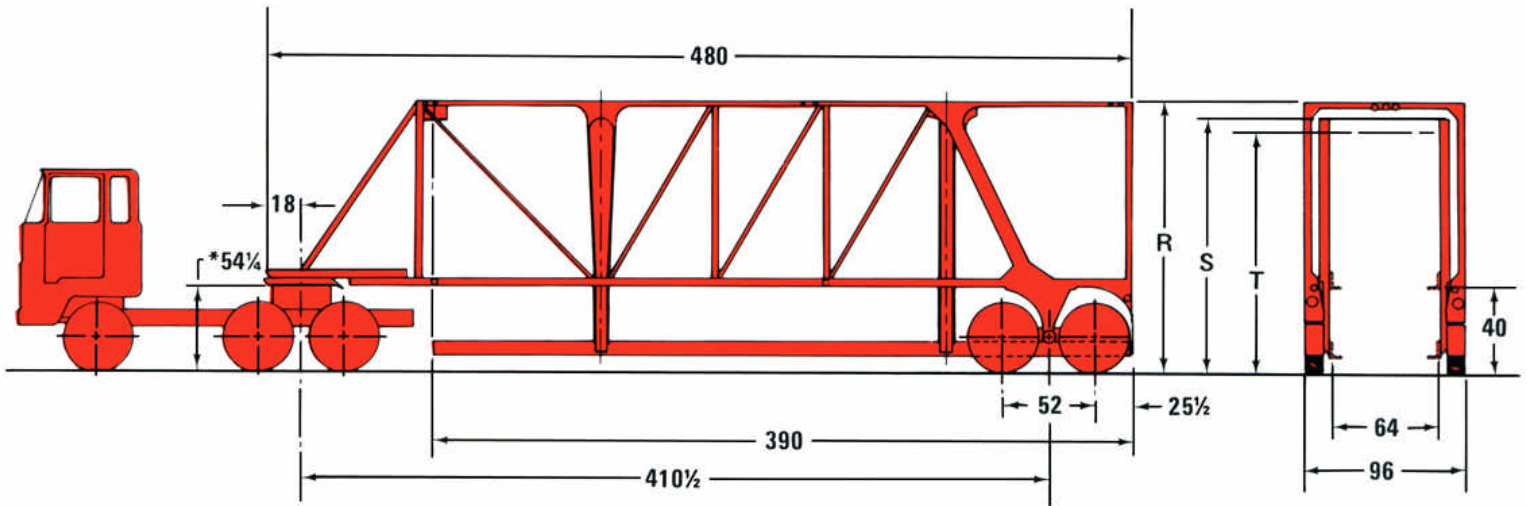


Strad-O-Lift Dimensions



*54 1/4" for oscillating fifth wheel, 49" height can be provided.

Strad-O-Lift Specifications

Standard Models	4A40	4E40	4G40
R dimension...overall trailer height	10'-6"	12'-6"	13'-6"
S dimension...inside frame height	9'-3"	11'-3"	12'-3"
T dimension... inside clearance, load binder to ground	8'-6"	10'-6"	11'-6"
Maximum recommended load width***	58"	58"	58"
Maximum load height**	8'-3"	10'-3"	11'-3"
Height of lift*	40"	40"	40"
Tire size	12.00x20	12.00x20	12.00x20
Approximate trailer weight, lbs., total	15,470	16,000	17,160
Weight at king pin	4,950	5,141	5,491
Weight at wheels	10,520	10,859	11,669

*Greater lift available on special order

**Width load at 12" road clearance.

***For 98" overall tire width; 56" for 96" overall tire width.

At additional cost, the Strad-O-Lift® trailer can be engineered to meet your specific needs

In accordance with our policy of constant improvement we reserve the right to amend these specifications at any time without notice.

The only warranty applicable is our standard written warranty. We make no other warranty, expressed or implied.

Manufactured by