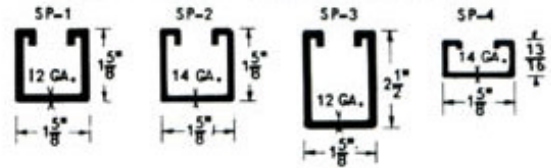


SPEEDBAR INSTALLATION FITTINGS

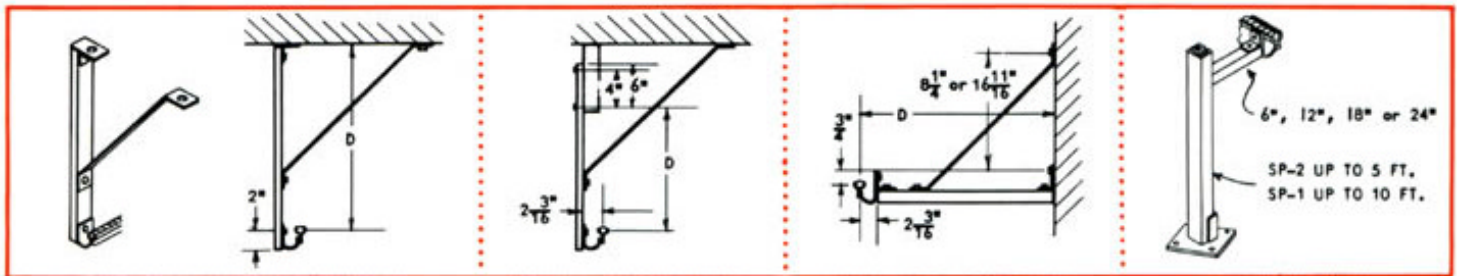
The Speedbar rapid assembly structural system is ideal for installing Monoflo conveyors. Consisting of continuously slotted bars which permit infinitely adjustable bolting, Speedbar combines high strength with low weight. It is so easy to install that the labor and time savings over other systems can be tremendous. Its versatility simplifies changes during or after installation. And, the bright zinc coating requires no maintenance. However, Monoflos have been installed using angle iron, round rods, pipe and even wood.

When ordering hangers and braces, specify the part number and give dimension "D". Supports are disassembled for compact shipment. Anchor bolts or lag screws to fasten to building are not furnished. Other types of hangers and braces will be fabricated to your specifications.

FOUR BASIC SPEEDBAR SIZES



SIMPLE 3-STEP ASSEMBLY

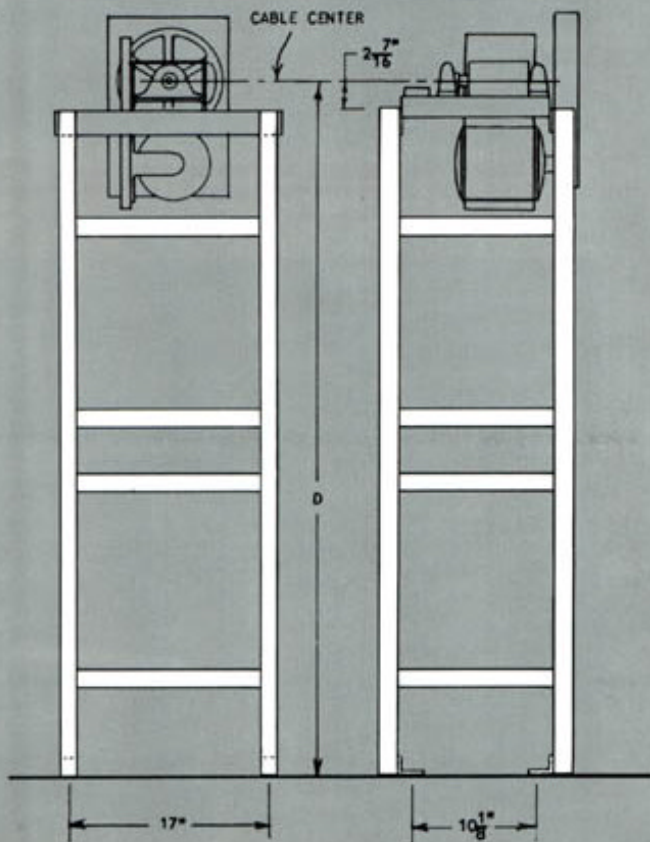


FOR CEILING INSTALLATION
MS 101X-A

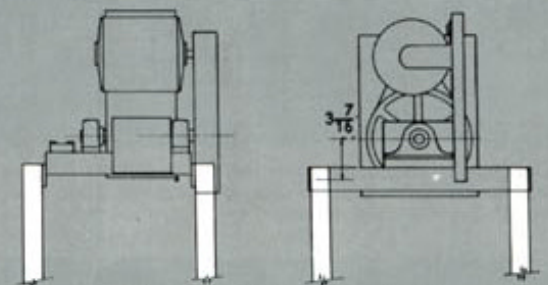
FOR SIDE MOUNTING
MS 201X

FOR WALL MOUNTING
MS 301X

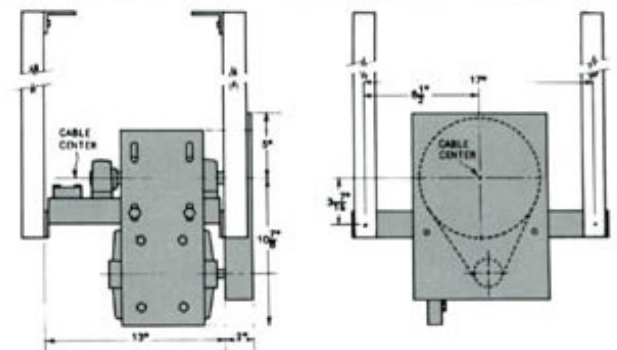
FLOOR STAND
MX-105



MS-503 FLOOR MOUNT FOR DRIVES
MD-109, MD-124, MD-105 & MD-125



DRIVES MD-109 and MD-124,
with motor positioned above the cable



MS-509 CEILING MOUNT
FOR DRIVES MD-105 AND MD-525
DETAILS FOR OTHER DRIVES ON REQUEST