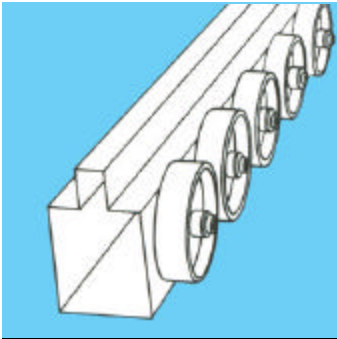
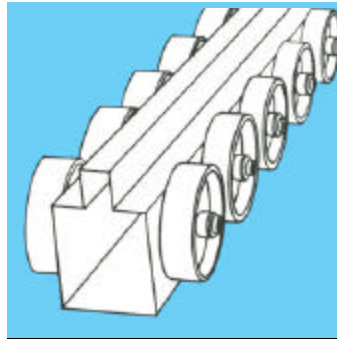
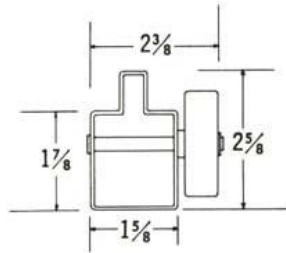


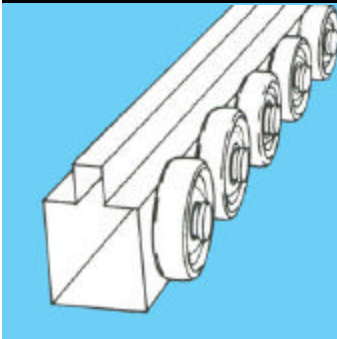
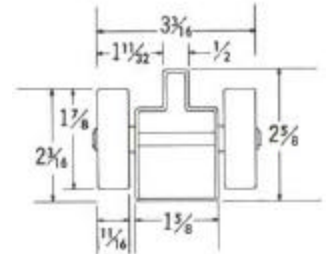
# CARTONFLO COMPONENTS



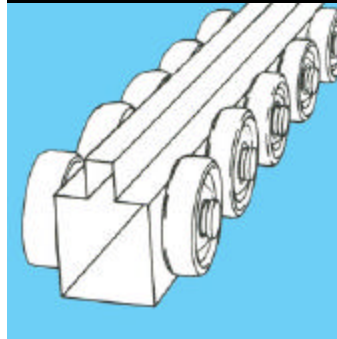
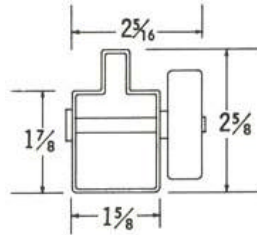
Single Plastic Wheel



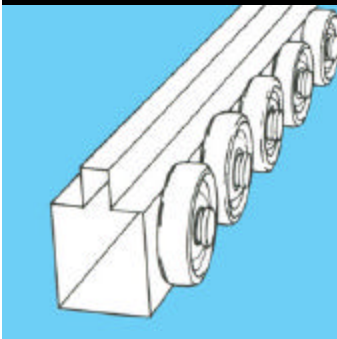
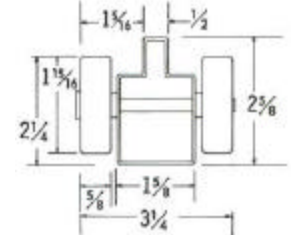
Double Plastic Wheel



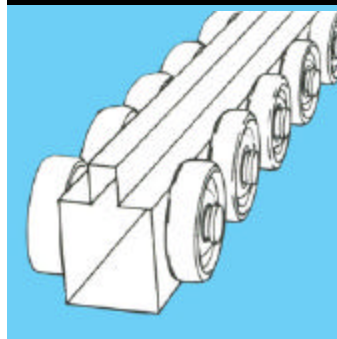
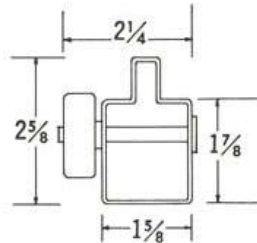
Single 2" Steel Wheel



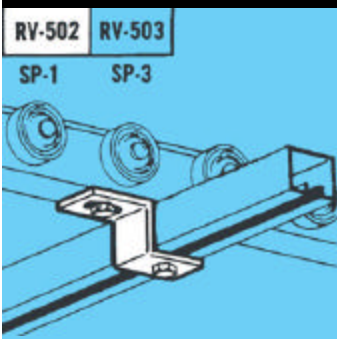
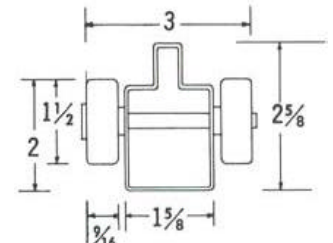
Double 2" Steel Wheel



Single 1 1/2" Steel Wheel

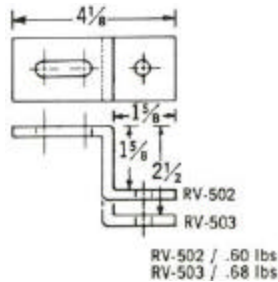


Double 1 1/2" Steel Wheel

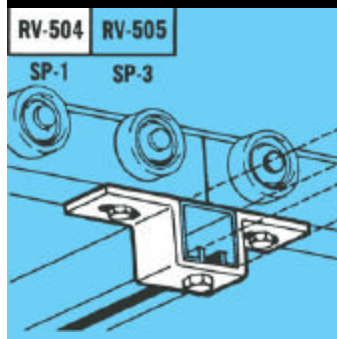


RV-502 RV-503  
SP-1 SP-3

Rail 'Z' Bracket

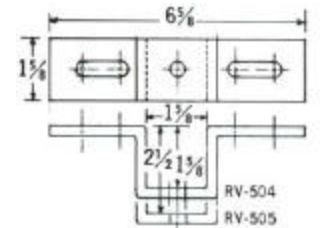


RV-502 / .60 lbs.  
RV-503 / .68 lbs.

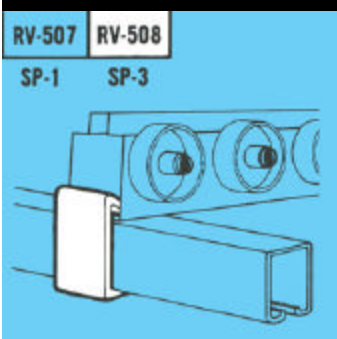


RV-504 RV-505  
SP-1 SP-3

Rail Splice Connector

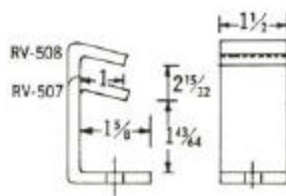


RV-504 / 1.05 lbs.  
RV-505 / 1.30 lbs.

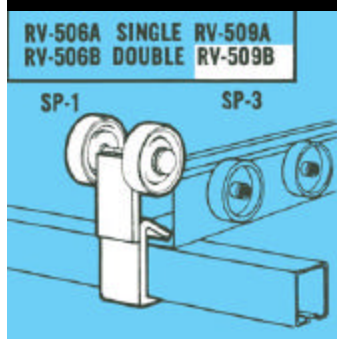


RV-507 RV-508  
SP-1 SP-3

Rail Rear Clamp

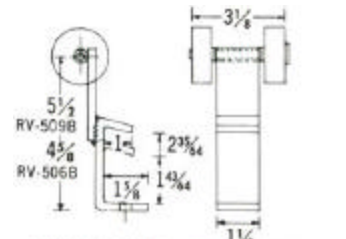


RV-507 / .55 lbs.  
RV-508 / .60 lbs.



RV-506A SINGLE RV-509A  
RV-506B DOUBLE RV-509B  
SP-1 SP-3

Rail Clamp and Wheel Stop\*



RV-506A / 1.23 lbs. RV-509A / 1.27 lbs.  
RV-506B / 1.48 lbs. RV-509B / 1.52 lbs.